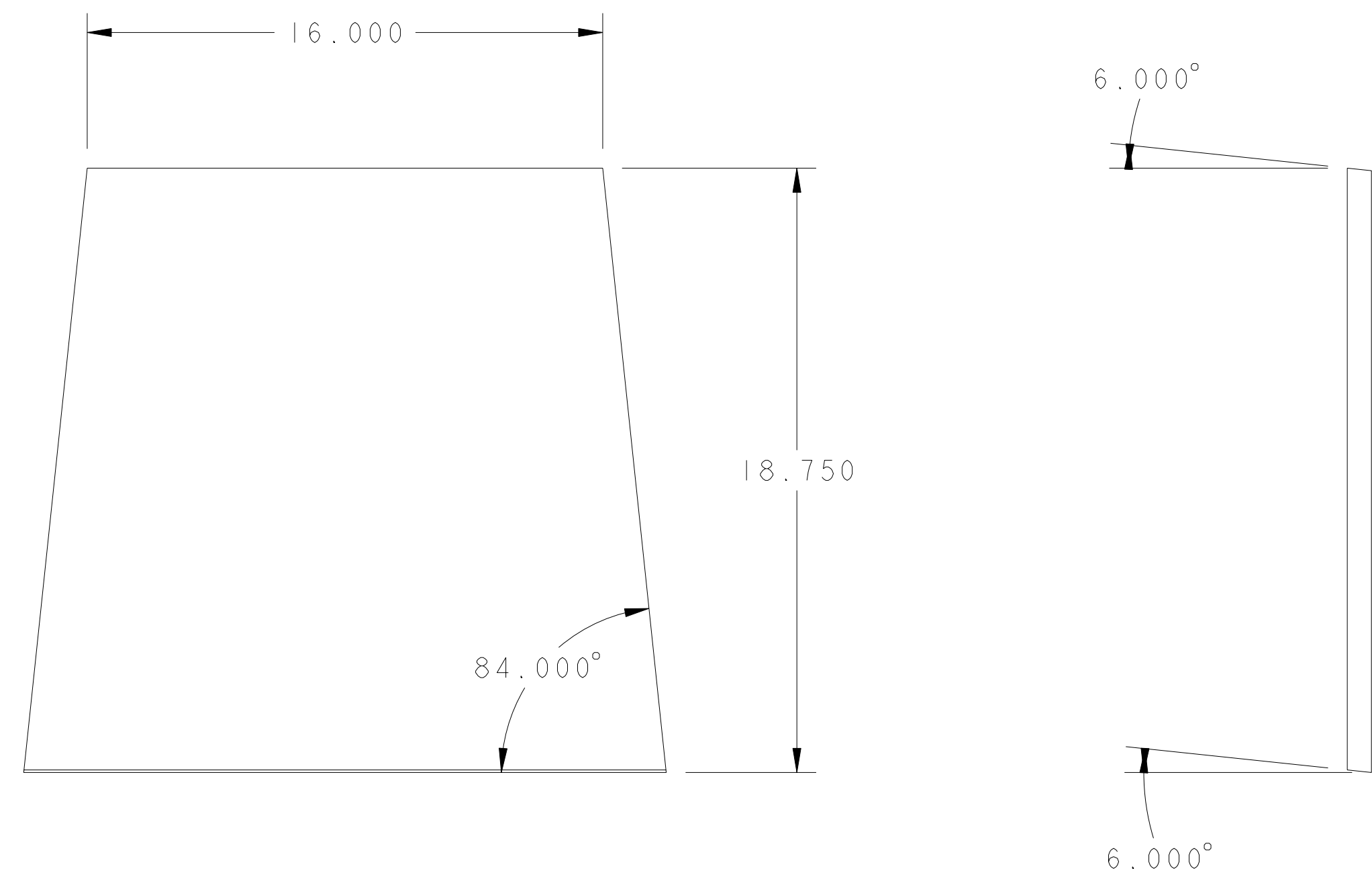
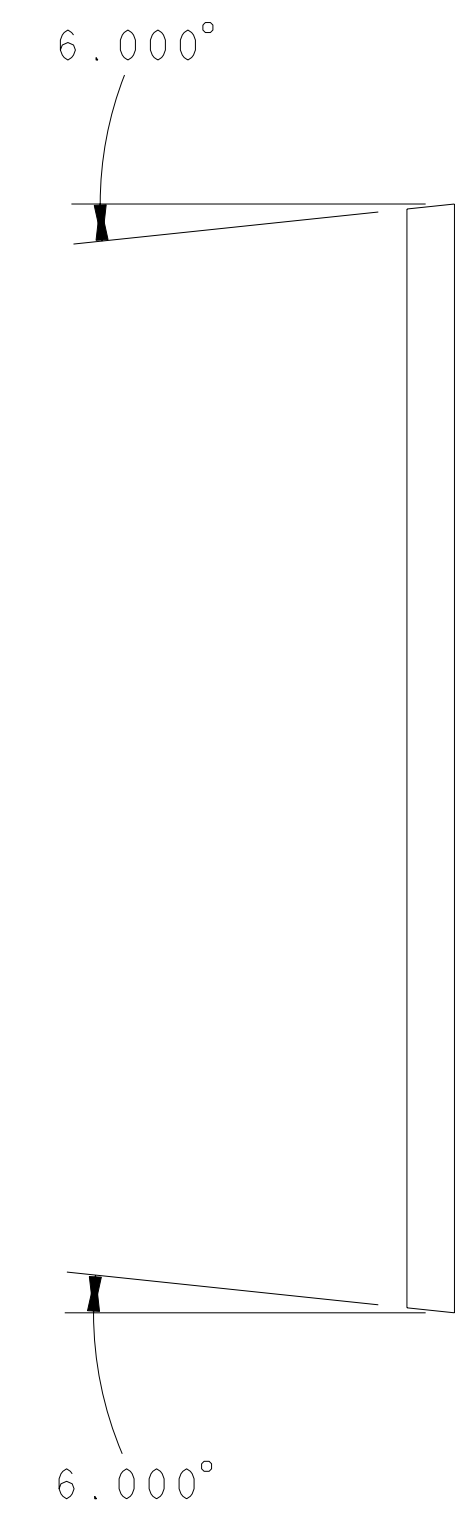


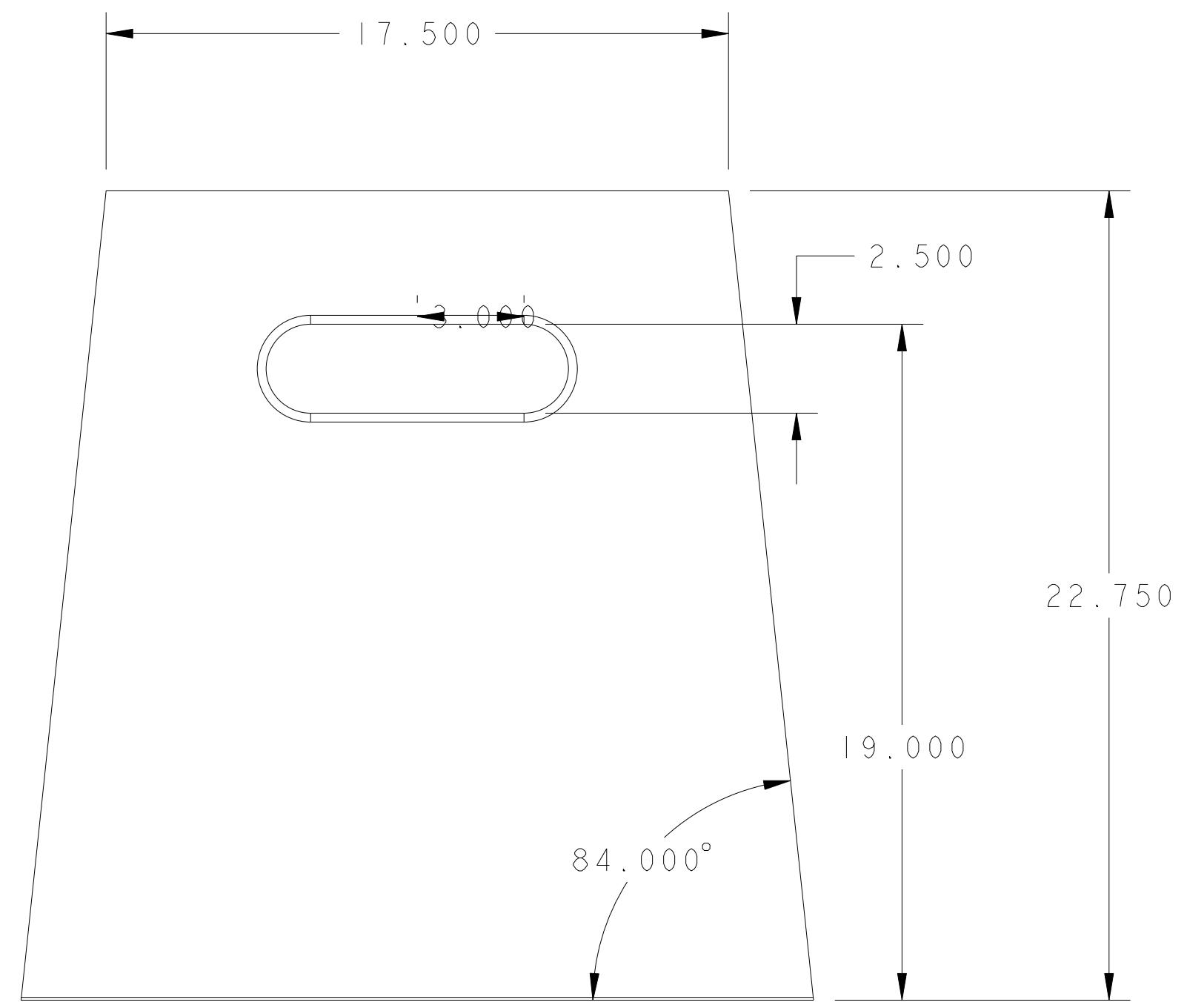
Side 1, 20 Inch Box 2X



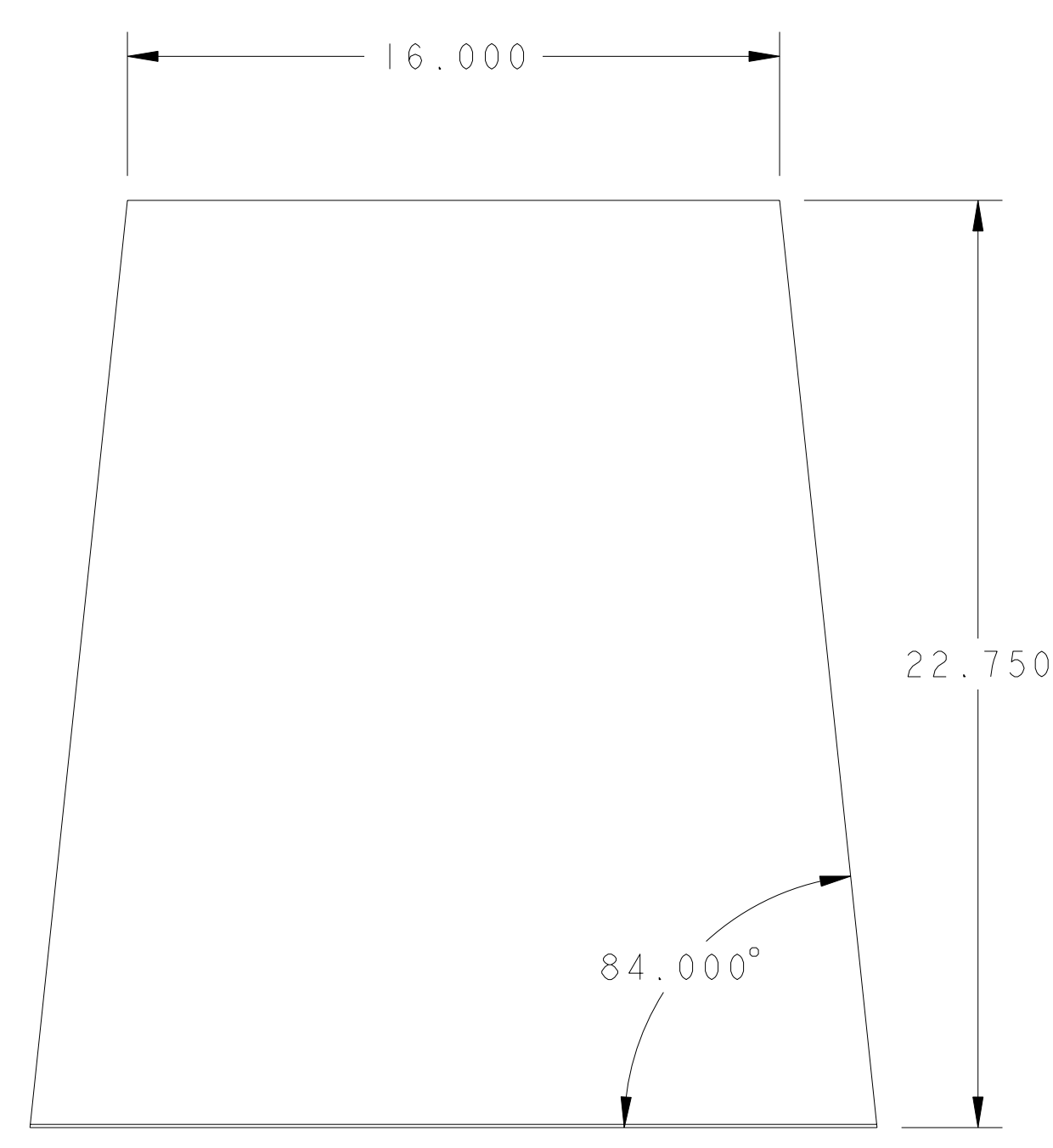
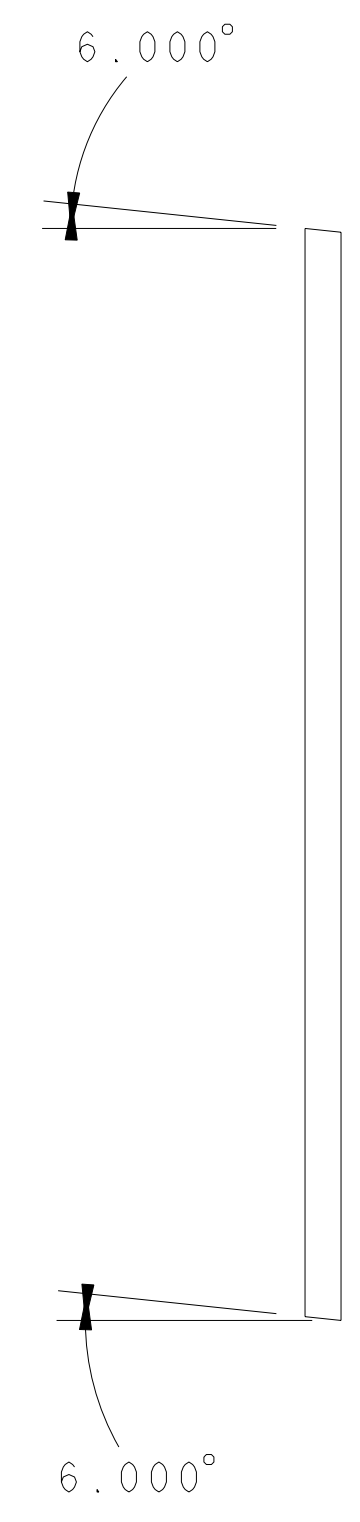
Top 2X



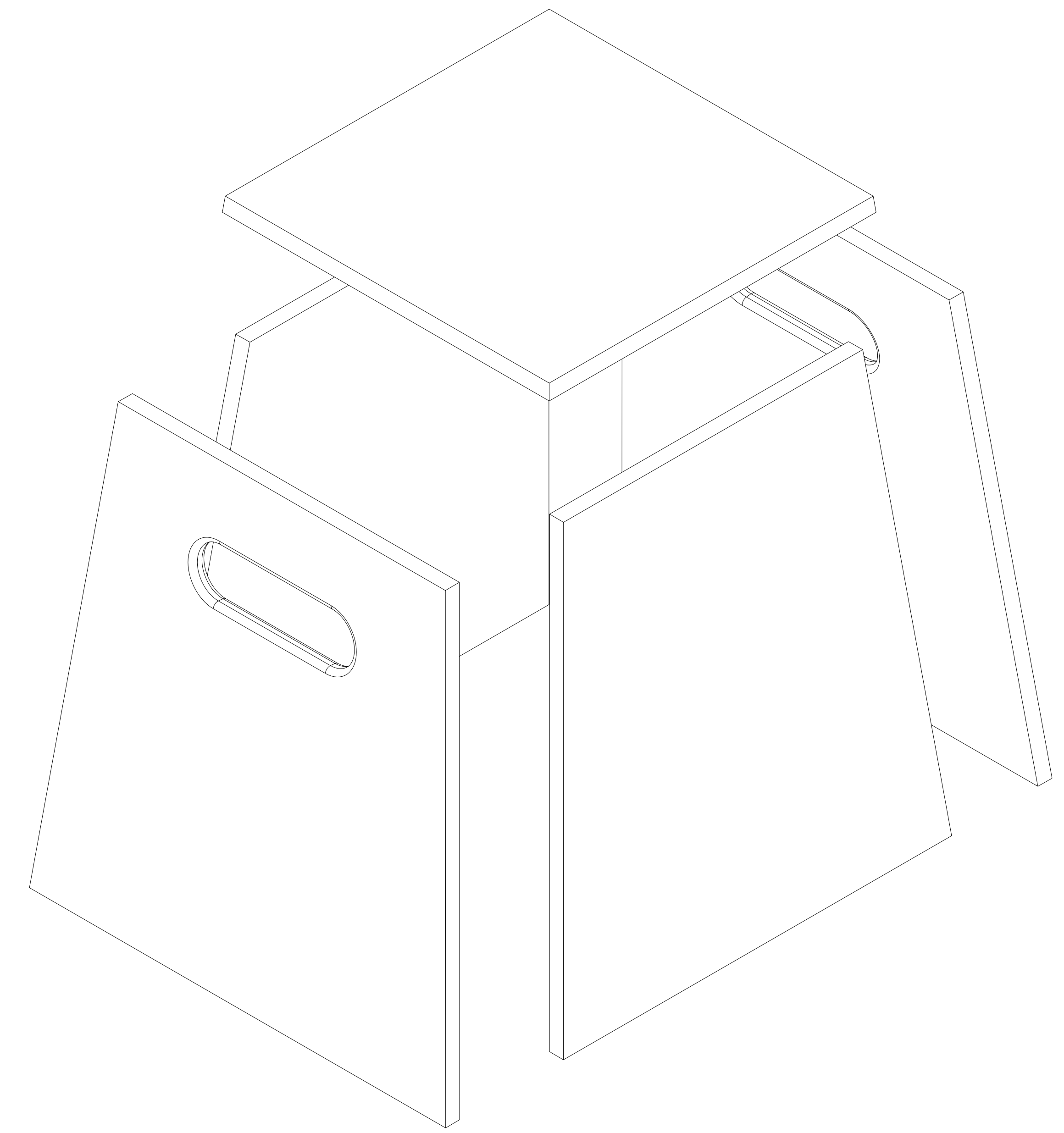
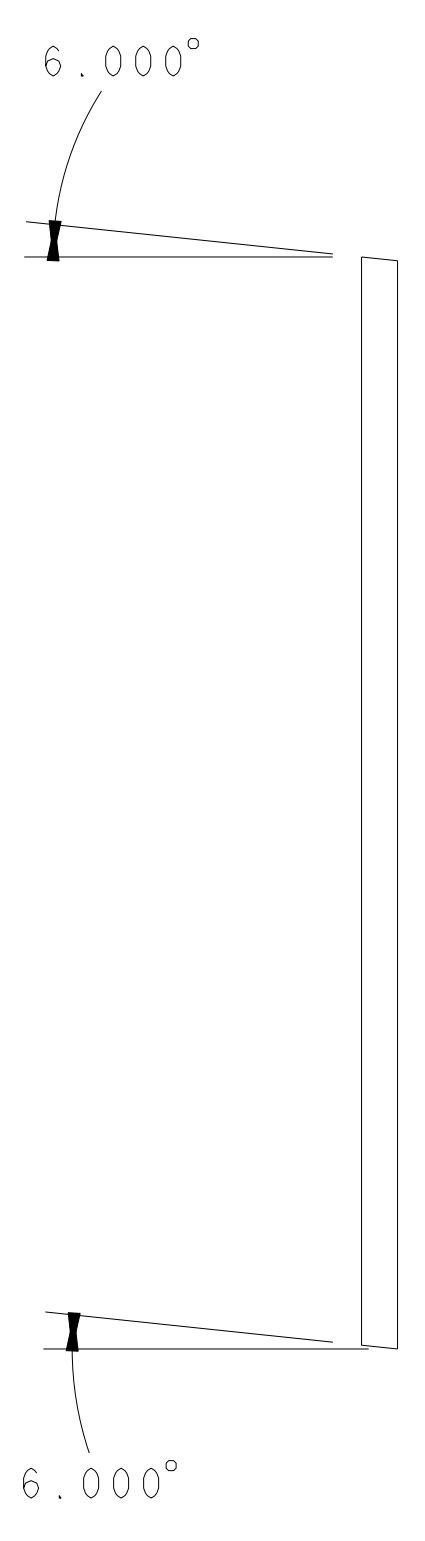
Side 2 20 Inch Box, 2X



Side 1 24 Inch Box, 2X



Side 2 24 Inch Box, 2X



CUT SHEET

